

Mini installation beacon / LED Beacon 801  
**LED Perm. Beacon EM 24VAC/DC RD**



Part No.: 801.100.75



| MECHANICAL DATA              |                             |
|------------------------------|-----------------------------|
| Height                       | 85 mm                       |
| Diameter                     | 57 mm                       |
| Materials                    | PC<br>PC/ABS                |
| Dome colour                  | Red                         |
| Housing colour               | Black                       |
| Protection category          | IP65                        |
| Connection                   | Screw terminals             |
| cross-sectional area maximum | 1,50mm <sup>2</sup> / 16AWG |
| Cable entry maximum          | d = 9 mm                    |
| Tension relief               | Pull-out protection         |
| Type of fixing               | Built-in mounting           |
| Working temperature minimum  | -20°C                       |
| Working temperature maximum  | +50°C                       |
| Weight with packaging        | 79 g                        |
| Product weight               | 60 g                        |

| ELECTRICAL DATA             |                                |
|-----------------------------|--------------------------------|
| Operating voltage           | 24V                            |
| Operating voltage type      | AC/DC                          |
| Operating voltage frequency | 50Hz                           |
| Operating voltage tolerance | +/- 10%                        |
| Rated operational voltage   | 24 VDC                         |
| Rated operational current   | 45 mA                          |
| Rated inrush current        | 500 mA                         |
| Protection class            | Protection class 2             |
| Pollution degree            | 3<br>In the connection area: 2 |

| OPTICAL DATA         |                   |
|----------------------|-------------------|
| Light source         | LED               |
| Light colour         | Red               |
| Optical signal image | Permanent         |
| Service life optical | 100,000 h maximum |

| APPROVAL DATA               |     |
|-----------------------------|-----|
| Conforms with CE            | Yes |
| WEEE                        | Yes |
| Conform with ATEX-directive | No  |
| Conforms with CCC           | No  |

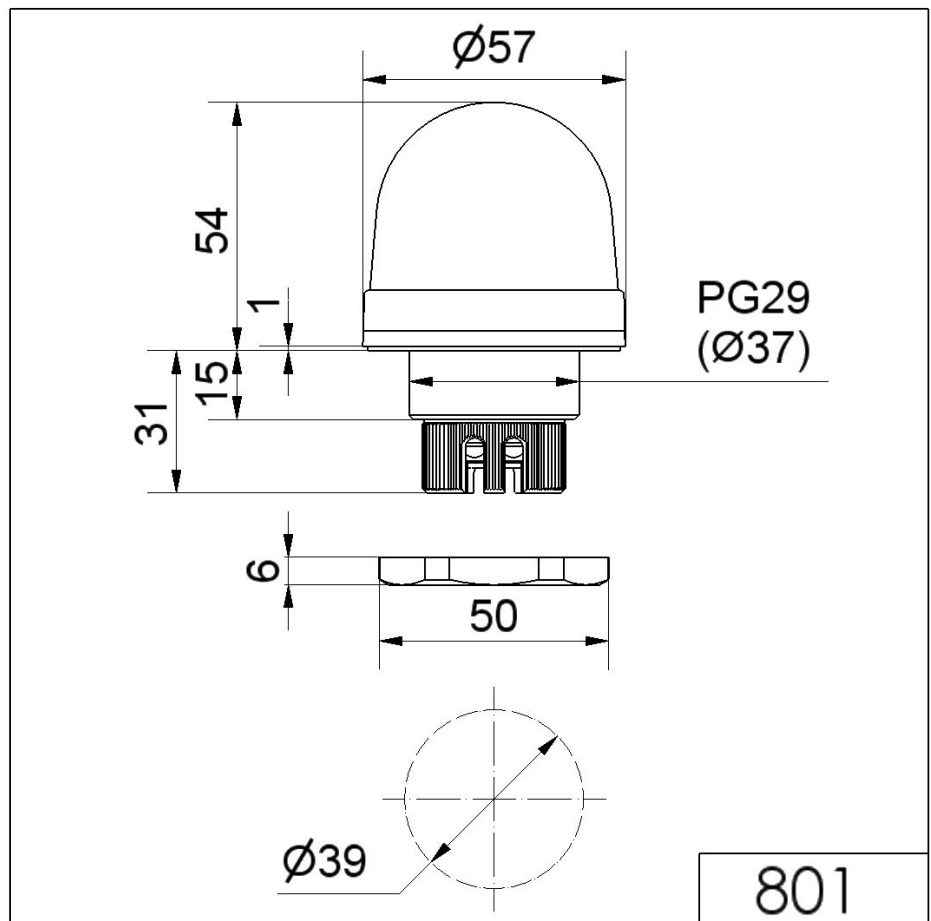
! For additional installation and mounting information, refer to the appropriate user guide at [www.werma.com](http://www.werma.com). This printed copy is for information only and is subject to alteration.

Mini installation beacon / LED Beacon 801

**LED Perm. Beacon EM 24VAC/DC RD**

|                           |         |
|---------------------------|---------|
| Conforms with UL          | cULus   |
| UL Type Rating            | Type 12 |
| Conforms with FCC         | No      |
| Conforms with IC          | No      |
| EAC certificate available | Yes     |
| Conforms with AS-I        | No      |
| ICAO Certification        | No      |
| Conforms with GL          | No      |
| Conforms with RoHS CN     | No      |
| Conforms with VdS         | No      |

**DRAWING**



For additional installation and mounting information, refer to the appropriate user guide at [www.werma.com](http://www.werma.com). This printed copy is for information only and is subject to alteration.